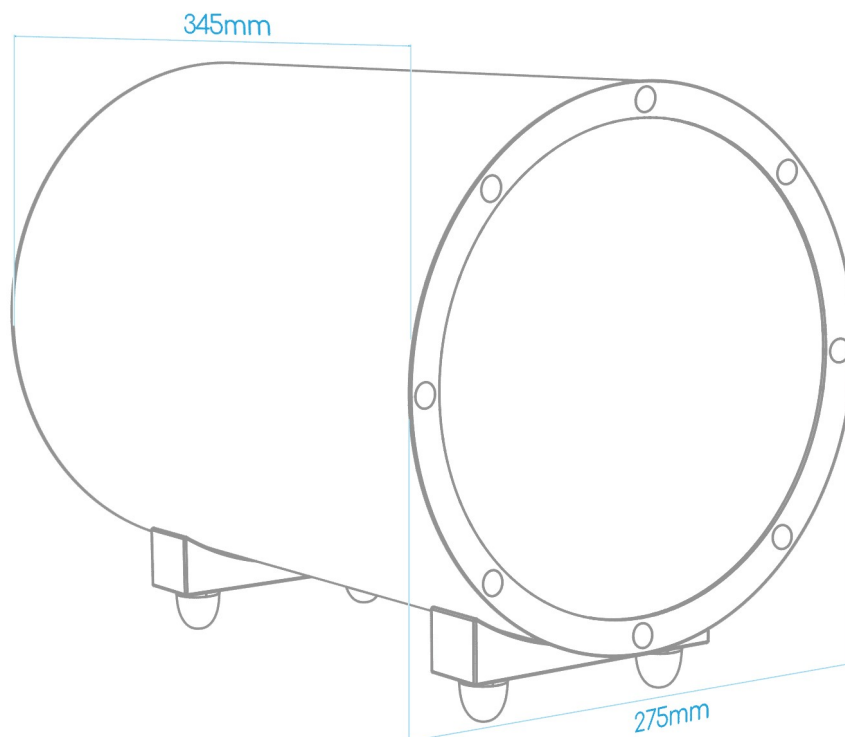


TR-3D and MICRO SE

SPECIFICATIONS TR-3D

In-room frequency response	18Hz – 180Hz +/- 3db
Digital power amp	300 Watts RMS, 600 Watts max.
Phase	0/180 switch
Low pass	50 to 180Hz, continuously variable with LFE by-pass switch
High pass	100Hz fixed, 1st order on high-level output
Bass EQ	0, +3dB, +6dB 25 Hz center frequency
Power	Auto/On/Off: toggle Switch
Dimensions:	275mm (W) x 305mm (H) x 345mm (D)
Enclosure type	Hardened steel with S2 Bass loading
Connections	2 female RCA phono inputs and 2 female RCA phono outputs (pass-thru) 5-way gold plated binding posts
Woofers	10" long throw ceramic coated aluminum
Warranty	2 Years Parts and Labour



SPECIFICATIONS MICRO SE

Frequency Response

On wall or floor stand:	100Hz to 22Khz
Isolation ring or table stand:	120Hz to 22Khz
Sensitivity:	85 dB/w 2.83v (1M)
Nominal Impedance:	4 Ohms
Power Handling: (Small Enclosure)	125 watts
Height on Stand:	955 mm / 37.6"
Drivers:	3" wide-dispersion flat diaphragm
Crossover:	None
Dimensions:	4" Sphere
Weight:	737g
Cone material:	Aluminium Honeycomb Sandwich
Enclosure Material:	Mild Steel/Stainless Steel
Warranty:	5 years parts and labour

