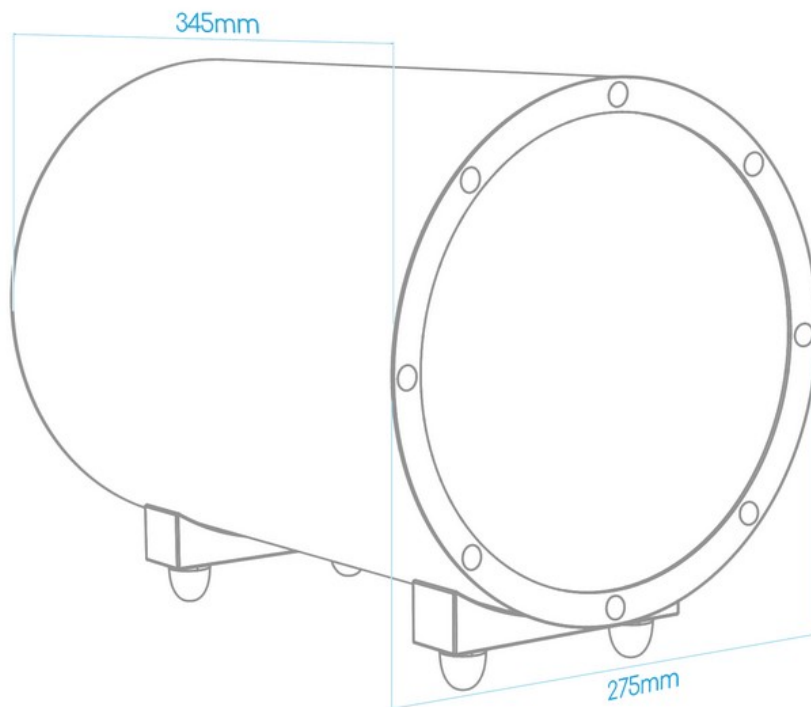


Micro 5.1 with TR-3D Subwoofer

In-room frequency response	18Hz – 180Hz +/- 3db
Digital power amp	300 Watts RMS, 600 Watts max.
Phase	0/180 switch
Low pass	50 to 180Hz, continuously variable with LFE by-pass switch
High pass	100Hz fixed, 1st order on high-level output
Bass EQ	0, +3dB, +6dB 25 Hz center frequency
Power	Auto/On/Off: toggle Switch
Dimensions:	275mm (W) x 305mm (H) x 345mm (D)
Enclosure type	Hardened steel with S2 Bass loading
Connections	2 female RCA phono inputs and 2 female RCA phono outputs (pass-thru) 5-way gold plated binding posts
Woofer	10" long throw ceramic coated aluminum



Frequency Response

On wall ceiling or floor stand

100Hz to 18kHz

On Tabletop

120Hz to 18kHz (on tabletop)

Sensitivity

89 dB/w 2.8v (1m)

Nominal Impedance

8 Ohms

Power Handling

100 Watts

Driver:

3" full range

Crossover:

None

Height on Stand:

955 mm / 37.6"

Dimensions

4" Sphere

Weight

795g

Cone Material

Mical Polypropylene Compound

Enclosure Material

Mild Steel

Warranty

5 Years Parts and Labour

