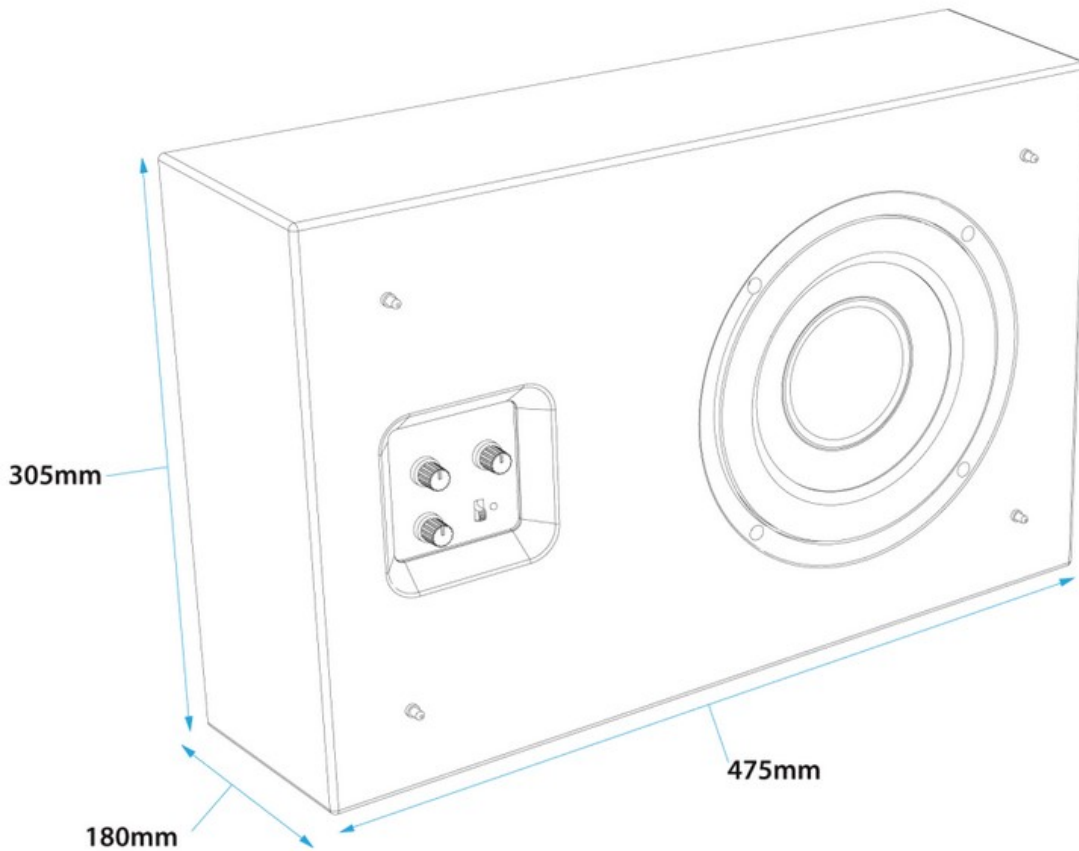


# Micro 5.1 with ProfileSub Subwoofer

|                               |   |
|-------------------------------|---|
| <b>Frequency Response</b>     | 32Hz – 220Hz +/- 3db                    |
| <b>Digital Power Amp</b>      | 150 Watts                               |
| <b>Woofer</b>                 | 8" woofer with PP cone and NBR surround |
| <b>Phase</b>                  | 0 – 180° continuously variable          |
| <b>Active low pass filter</b> | 50 to 180Hz, continuously variable      |
| <b>Power</b>                  | Auto/On/Off: toggle switch              |
| <b>Dimensions</b>             | 475mm (W) x 305mm (H) x 180mm (D)       |
| <b>Weight</b>                 | 10.5kg                                  |
| <b>Enclosure Material</b>     | MDF (Medium Density Fibreboard)         |
| <b>Connectors</b>             | 2 female RCA phono inputs               |
| <b>Warranty</b>               | 2 Years Parts and Labour                |



## Frequency Response

On wall ceiling or floor stand

100Hz to 18kHz

On Tabletop

120Hz to 18kHz (on tabletop)

## Sensitivity

89 dB/w 2.8v (1m)

## Nominal Impedance

8 Ohms

## Power Handling

100 Watts

Driver:

3" full range

Crossover:

None

## Height on Stand:

955 mm / 37.6"

## Dimensions

4" Sphere

## Weight

795g

## Cone Material

Mical Polypropylene Compound

## Enclosure Material

Mild Steel

## Warranty

5 Years Parts and Labour

