

# Adept Audio®

## Ceiling Speaker Installation Manual



UP. TWIST. CLICK. LOCK.

IC62 • IC64 • IC66 • IC82 • IC86 • IC62TT • ICLCR62 • ICLCR66 • ICLCR86

# Adept Audio®

Thank you for buying Adept Audio Ceiling Speakers. We believe that all of our loudspeakers sound really excellent. And that's because they're designed and voiced by guys who have been focusing on architectural speakers for some of the biggest brands over the last 30 years.

This manual provides all the necessary information for installation. If for any reason you experience problems or if you have installation questions, please call us at (888) 982-3378. Hours of operation are 8:00am to 5:00pm (Pacific Time), Monday through Friday.

## Table of Contents

---

Warranty - 3

What's Included - 4

Speaker Cable Choice - 3

Speaker Placement - 5

Installing The Speakers - 6

Specifications - 8

Troubleshooting - 10

## Warranty

Adept Audio warrants to the original end user only that our products will be free from defects in materials and workmanship, provided the speaker was purchased from an Adept Audio authorized dealer. If the product is determined to be defective, it will be repaired or replaced at Adept Audio's discretion. If the product must be replaced yet it is no longer manufactured, it will be replaced with a model of equal to or greater value that is the most similar to the original. If this is the case, installing the replacement model may require mounting modifications; Adept Audio will not be responsible for any such related costs.

## Limited Lifetime Warranty

This warranty may not be valid if the product was purchased through an unauthorized dealer. This warranty only applies to the individual that made the original purchase, and it cannot be applied to other purchases. The purchaser must be prepared to provide proof of purchase (receipt). This warranty will not be valid if the identifying number or serial number has been removed, defaced, or altered.

## Requirements & Warranty Coverage

All warranties and warranty conditions are subject to change. Please refer to [www.adept-audio.com](http://www.adept-audio.com) for the latest information.

These conditions are not covered by warranty:

- Accidental damage
- Damage caused by abuse or misuse
- Damage caused by attempted repairs/modifications by anyone other than Adept Audio or an authorized dealer
- Damage caused by improper installation
- Normal wear, maintenance and environmental issues
- Damage caused by voltage input in excess of the rated maximum of the unit
- Damage inflicted during the return shipment

## What's Included

---

Speaker • Manual • Template

"In the Ring" mounting system requires no tools.

### Tools You'll Need

- Drywall Saw
- Speaker Wire
- Pencil
- Wire Stripper
- Measuring Tape
- Screwdriver
- Drill
- Drill Bit 1/8" (3mm)
- Stiff Wire
- Stud Finder
- Fish Tape
- Spray Paint
- Compressed Air

## Speaker Cable Choice

If you are running speaker cables through walls and ceilings, make sure your cables are CL3-rated for in-wall use. To ensure the best performance from the speakers, use stranded speaker wire of the appropriate gauge for the length of the wire run.

0 - 100' (0 - 30m): 16 gauge

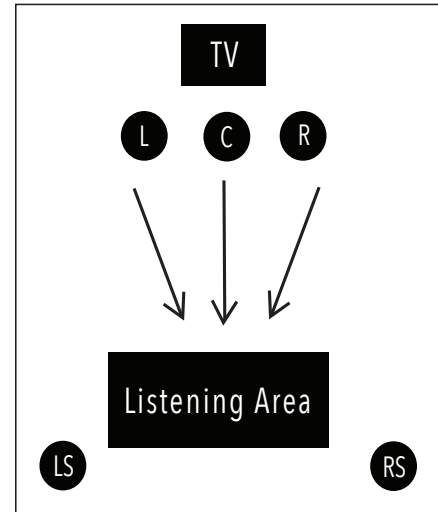
50 - 150' (15 - 45m): 14 gauge

Over 100' (30m): 12 gauge

## Speaker placement

The speaker layout is showing ceiling LCR speakers for front left, center and right channels, and standard ceiling speakers for left and right surround channels. Note that the ceiling LCR speakers should be aimed at the listening position. The further you spread the front left and right speakers apart, the more spacious (but less focused) the sound will be.

Figure 1



### Ceiling speakers (IC62, IC64, IC66, IC82, IC86)

Standard Adept Audio ceiling speakers can go practically anywhere in almost any ceiling, provided the existing infrastructure (vents, ducts, electrical, joists, pipes, etc.) does not interfere with the speaker placement. If you're running them in mono, simply position them at a distance that provides adequate coverage of the space, typically with the speakers 10-20 feet apart. If you're running them in stereo, you may wish to install pairs of speakers with each speaker in the pair equidistant from where people will most likely sit, and the speakers spaced about 10 feet apart.

### Dual-tweeter ceiling speaker (IC62TT)

Because a dual-tweeter ceiling speaker can reproduce the left and right channels of a stereo audio signal, you can place it anywhere that's convenient. As with standard ceiling speakers run in mono, place multiple dual-tweeter speakers about 10-20 feet apart.

### LCR ceiling speakers (ICLCR62, ICLCR66, ICLCR86)

LCR ceiling speakers need to be positioned above and near the tv screen, typically a foot or two from the wall where the screen is mounted. Place the center speaker as near to the middle of the screen as possible, and place the left and right front speakers roughly near the edges of the screen, and at the same distance from the edge. The speakers must be turned in their mounting holes so they are aimed at the place where listeners are most likely to sit. In a 5.1 or 7.1 surround sound system, you can use standard ceiling speakers or LCR ceiling speakers for the surround channels, but if you use LCR speakers for the surrounds, be sure to aim them at the place where listeners are most likely to sit.

## Installing the Speakers

When you've decided on the locations for all of the speakers, use the template to trace a circle lightly in pencil where each hole should be. (If you don't have a template, check the Specifications section for cutout sizes.) If you're unsure on whether there may be obstacles (such as pipes or wires) where you plan on installing the speaker, drill a 1/8 inch hole in the center of the rectangle, then put a bent coat hanger through the hole to feel around. Use a keyhole or drywall saw to cut the hole.

### **Painting the grilles**

The grilles can be painted to match the color of walls or trim. The grille must be painted with spray paint, either from a can or a sprayer. Before painting, carefully remove the thin cloth on the underside of the grille. Lightly spray the front of the grille with the paint from a distance, being careful not to plug any of the holes. Diluting the paint with paint thinner will lessen the risk of filling any holes. If a hole gets plugged, use a can of compressed air to open it. Once the paint is dry, put the cloth back on the grille.

### **Installing the ring**

Adept Audio's "In the Ring" mounting system requires no tools. Remove the speaker from its round, ring-shaped bezel, then place the bezel into the hole cut in the ceiling. Each of the four mounts has two finger hooks. Put your first and second (index and middle) fingers into the hooks, press your thumb against the bezel ring or ceiling, then slide the red mount down until the bezel ring is pressed firmly against the ceiling. Repeat with the other three mounts. Pull lightly on the bezel ring to make sure there are no gaps between the ring and the ceiling, and that all the mounts are tight. If the ring is loose or there are gaps, squeeze down more tightly on each of the red mounts.

### **Connecting the speaker cables**

To connect a speaker cable, first strip ½ inch of insulation from each conductor of the cable, and lightly twist the exposed strands between your fingers to make sure there are no stray strands sticking out. Be sure to connect the positive half of the cable (usually marked with a line on the side, or sometimes with red or white insulating jacket) to the positive speaker cable connector, which is marked with a red dot. Press down on the speaker cable connector until a hole appears in the side, then insert the stripped end of the cable and release the connector. Repeat with the other half of the cable. Give each cable a light tug to make sure it's secure.

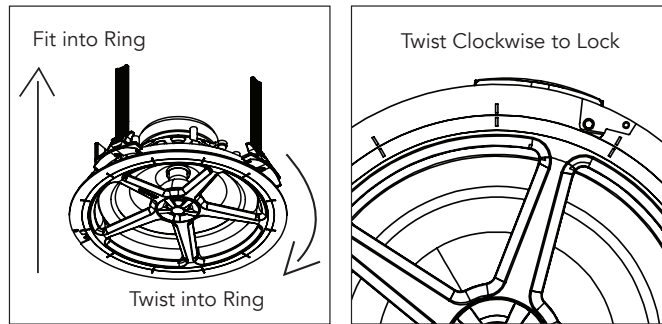
### Installing the speaker in the bezel ring

Once the speaker cable connections are made, lift the speaker into the bezel ring with the tweeter and woofer pointing toward the floor, and twist it clockwise until it clicks into place.

#### Step 1

Fit the loudspeaker into the trim-out ring. Then twist the speaker about 15 degrees clockwise into place. When the loudspeaker is properly seated, the indicators on the ring and the speaker will line up.

**\*Important\*** The indicators must line up to ensure the speaker is properly seated.



#### Step 2

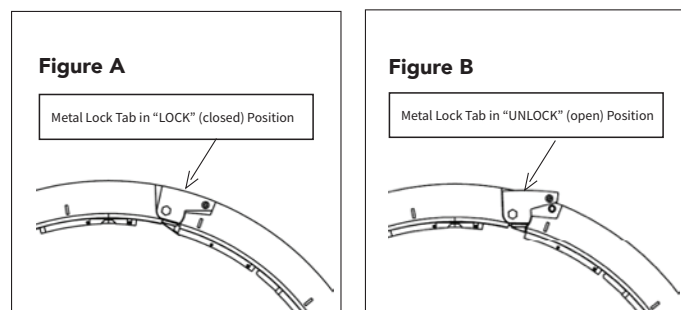
The trim-out ring also features a metal lock to ensure the correct installation of the loudspeaker. Out of the box, the lock will be in its closed position. Open the lock tab to its unlocked position to remove the speaker from the trim-out ring. Once the speaker is installed, close the lock tab by pushing it back into place, flush with the perimeter of the ring.

**\*Important\*** Push the metal lock tab into its "LOCK" (closed) position after speaker is installed per step 1. This will secure the installation. **(See Figure A)**

The loudspeaker must be properly seated, else the metal lock tab will not lock.

**\*Important\*** To ensure that the loudspeaker is properly installed, after closing the lock please attempt to rotate the speaker clockwise. It should not rotate. At that point, you may install the grille.

To uninstall the speaker, push the metal lock tab to its "UNLOCK" (open) position and twist the loudspeaker counterclockwise. **(See Figure B)**



### Installing the grille

Position the grille so it fits completely over the speaker, then press it against the speaker until the speaker's integral magnets grab hold of it.

# Specifications

## IC62

6 ½" Polypropylene Woofer  
1" Pivoting Silk-Dome Tweeter  
Power Handling: 85 Watts  
Frequency Range: 55Hz-20kHz  
Sensitivity: 91dB SPL, 1 W, 1 m (3.3 ft)  
Impedance: 6 ohms  
Cutout Diameter: 8 ¾" (222mm)  
Grille Diameter: 10" (254mm)  
Mounting Depth: 3 ¾" (95mm)

## IC64

6 ½" Injected-Molded Polypropylene (IMPP) Woofer  
1" Pivoting Teteron-Dome Tweeter  
Power Handling: 100 Watts  
Frequency Range: 50Hz-20kHz  
Sensitivity: 92dB SPL, 1 W, 1 m (3.3 ft)  
Impedance: 6 ohms  
Cutout Diameter: 8 ¾" (222mm)  
Grille Diameter: 10" (254mm)  
Mounting Depth: 3 ¾" (95mm)

## IC66

6 ½" Injected-Molded Graphite (IMG) Woofer  
1" Pivoting Aluminum-Dome Tweeter  
Power Handling: 125 Watts  
Frequency Range: 48Hz-20kHz  
Sensitivity: 92dB SPL, 1 W, 1 m (3.3 ft)  
Impedance: 6 ohms  
Cutout Diameter: 8 ¾" (222mm)  
Grille Diameter: 10" (254mm)  
Mounting Depth: 3 ¾" (95mm)

## IC82

8" Polypropylene Woofer  
1" Pivoting Silk-Dome Tweeter  
Power Handling: 150 Watts  
Frequency Range: 40Hz-20kHz  
Sensitivity: 93dB SPL, 1 W, 1 m (3.3 ft)  
Impedance: 6 ohms  
Cutout Diameter: 8 ¾" (222mm)  
Grille Diameter: 10" (254mm)  
Mounting Depth: 4 ½" (114mm)

## IC86

8" Injection-Molded Graphite (IMG) Woofer  
1" Pivoting Aluminum-Dome Tweeter  
Power Handling: 175 Watts  
Frequency Range: 38Hz-20kHz  
Sensitivity: 92dB SPL, 1 W, 1 m (3.3 ft)  
Impedance: 6 ohms  
Cutout Diameter: 8 ¾" (222mm)  
Grille Diameter: 10" (254mm)  
Mounting Depth: 4 ½" (114mm)



# Specifications

## **IC62TT**

6 ½" Polypropylene Woofer  
Dual 1" Silk-Dome Tweeters  
Power Handling: 80 Watts  
Frequency Range: 50Hz-20kHz  
Sensitivity: 93dB SPL, 1 W, 1 m (3.3 ft)  
Impedance: 6 ohms  
Cutout Diameter: 8 ¾" (222mm)  
Grille Diameter: 10" (254mm)  
Mounting Depth: 3 ¾" (95mm)

## **ICLCR62**

6 ½" Polypropylene Woofer  
1" Pivoting Silk-Dome Tweeter  
Power Handling: 100 Watts  
Frequency Range: 50Hz-20kHz  
Sensitivity: 91dB SPL, 1 W, 1 m (3.3 ft)  
Impedance: 6 ohms  
Cutout Diameter: 8 ¾" (222mm)  
Grille Diameter: 10" (254mm)  
Mounting Depth: 4 ⅞" (124mm)

## **ICLCR66**

6 ½" Injection-Molded Graphite (IMG) Woofer  
1" Pivoting Aluminum-Dome Tweeter  
Power Handling: 125 Watts  
Frequency Range: 45Hz-20kHz  
Sensitivity: 93dB SPL, 1 W, 1 m (3.3 ft)  
Impedance: 6 ohms  
Cutout Diameter: 8 ¾" (222mm)  
Grille Diameter: 10" (254mm)  
Mounting Depth: 4 ⅞" (124mm)

## **ICLCR86**

8" Injection-Molded Graphite (IMG) Woofer  
1" Pivoting Aluminum-Dome Tweeter  
Power Handling: 175 Watts  
Frequency Range: 38Hz-20kHz  
Sensitivity: 92dB SPL, 1 W, 1 m (3.3 ft)  
Impedance: 6 ohms  
Cutout Diameter: 8 ¾" (222mm)  
Grille Diameter: 10" (254mm)  
Mounting Depth: 5" (127mm)

## Troubleshooting

**No sound from all speakers:** Make sure the amplifier and source device (music streamer, CD player, Bluetooth receiver, etc.) are turned on and music is playing. Check the connections between the source device and the amp to make sure they are firmly connected and that the cables are in good condition. If all units are on and the connections are good, disconnect the AC cord from the amp, wait for 5 minutes, plug it back in and try again.

**No sound from one speaker:** Check the cable connections on the speaker and the amplifier. If they are good, check the connection from the source device to the amp, to make sure both stereo channels are connected. If all these connections are good, twist the speaker to remove it from the bezel ring, then bring it down by the amp. If the speaker works, the installed cable between the speaker and the amp is damaged and will have to be spliced or replaced. If the speaker still doesn't work with a direct cable to the amp (but other speakers connected to that amp do work), unplug the AC cable to the amp, wait 5 minutes, then plug it back in and try the speaker again. If it still doesn't work, contact Adept Audio.

**Sound seems unfocused or bass is weak:** Check the polarity of the speaker cable connections on the amp and the speaker. The marked (or white or red) conductor of the cable should be connected to the positive (usually red) terminals on the speaker and the amp. The unmarked (or black) conductor should be connected to the negative (usually black) terminals on the speaker and the amp. If the polarity of a connection is wrong, reverse it and listen again.

**If you have any questions or concerns about installing or using this product, you can reach us through one of the following methods:**

Phone: (888) 982-3378

Hours of operation: 8:00am - 5:00pm (Pacific Time), Mon - Fri

Email: [support@adept-audio.com](mailto:support@adept-audio.com)

If you are having technical trouble, please include the model number and briefly explain what steps you took to resolve the problem in your email, or be prepared to answer these questions over the phone. If you are considering returning the product, it's required that you contact Adept Audio prior to any return attempts. This way we can determine if the issue can be resolved without returning the product, or if needed we can provide instructions and support for the return process.



**Adept** Audio®

© 2019 All rights reserved.